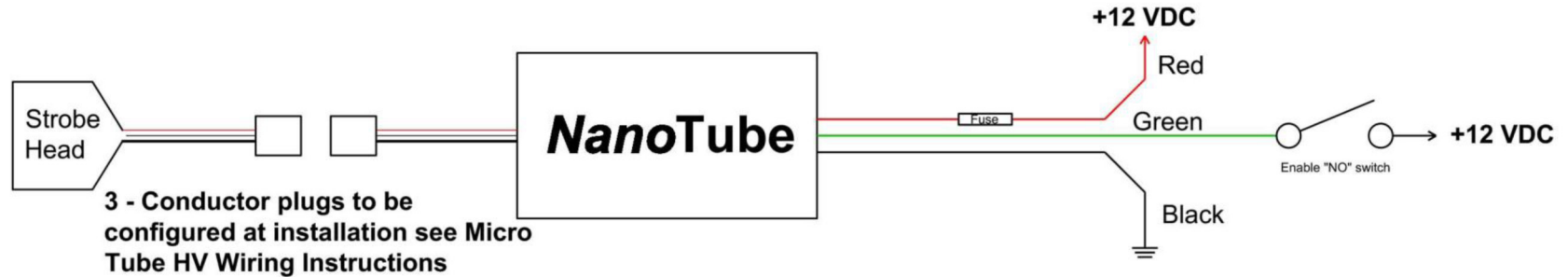


NOTE: 9.0-18VDC BATTERY POSITIVE ALWAYS IDENTIFIED AS "+12 VDC" FOR SIMPLICITY
9.0-18 VDC BATTERY NEGATIVE ALWAYS IDENTIFIED BY THE SYMBOL "⊥" FOR SIMPLICITY

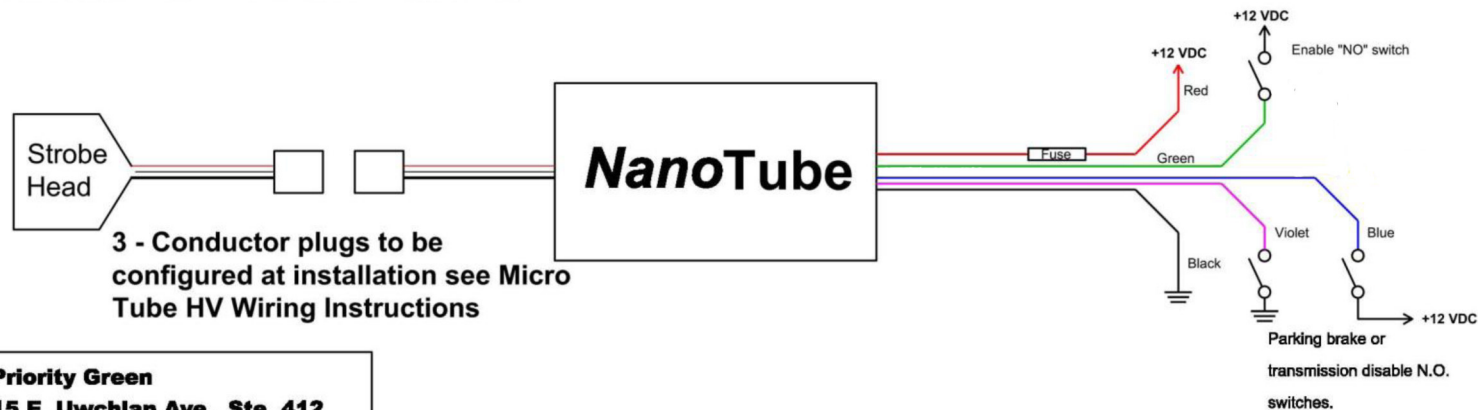
MINIMUM WIRING HOOK-UP

SINGLE SWITCH ALLOWS FOR NORMAL MODE OF OPERATION; NO PARKING BRAKE OR TRANSMISSION "DISABLE" FEATURE; NO "DIAGNOSTIC" LAMP FEATURE.



COMPLETE WIRING HOOK-UP

NORMAL MODE OF OPERATION; WITH PARKING BRAKE AND/OR TRANSMISSION "DISABLE" FEATURES



Priority Green
15 E. Uwchlan Ave., Ste. 412
Exton, PA 19341

Phone: 610-594-2191

Fax: 610-594-1282

www.prioritygreen.com